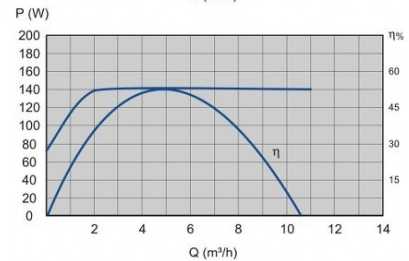
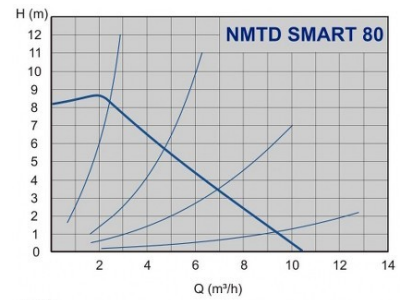


# Tech. data: NMTD SMART 40/80F



**CODE:** 979523552  
**Energy class:** EEI ≤ 0,21 - Part 2

## TECHNICAL DATA:

**Q max:** 10 m<sup>3</sup>/h  
**H max:** 8 m  
**System pressure:** PN 6/10 bar

## ELECTRICAL PARAMETERS:

**Power:** 7 - 140 W  
**Declared current:** 0,1 - 1,15 A  
**Power supply:** 1 ~ 230  
**Insulating class:** F  
**Degree of protection:** IP 44

## INSTALLATION & MEDIUM:

**Pipe connection:** DN 40  
**Port-to-port length:** 220 mm  
**Liquid temperature range:** +2 – +110 °C  
**Environment temperature range:** 0 – 40 °C  
**Max. working pressure at 50/80/110°C:** 0,05/0,8/1,4 bar

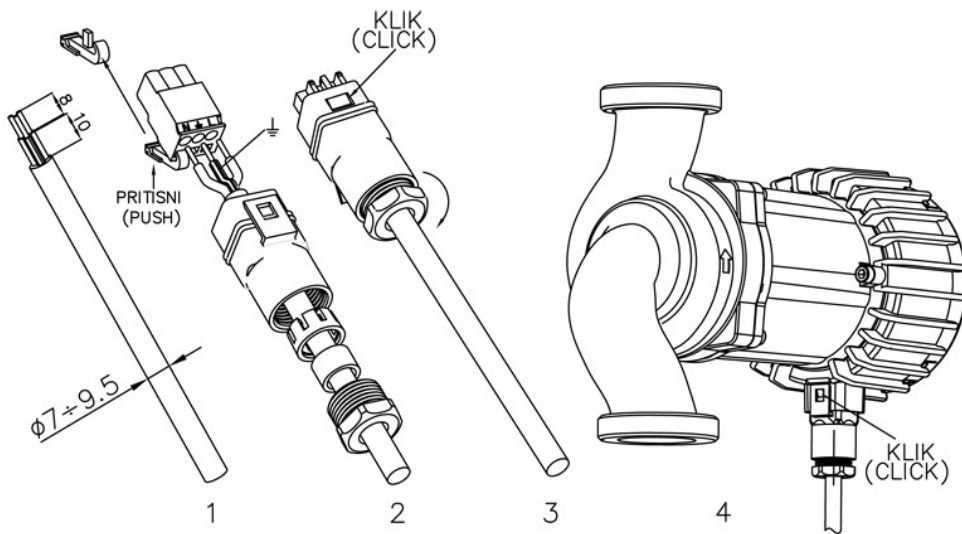
## MATERIALS:

**Impeller material:** PES  
**Housing material:** cast iron

## OTHERS:

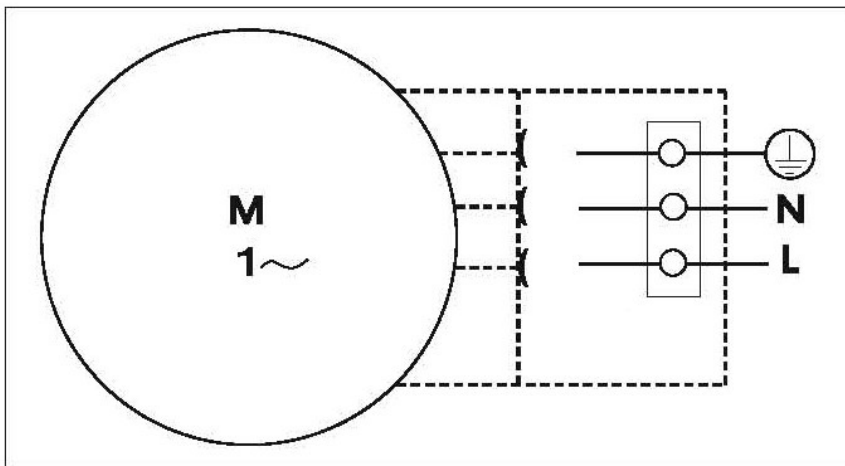
**Casing construction:** double  
**Net weight:** 11 kg  
**Gross weight:** 12,3 kg  
**Volume of packaging:** m<sup>3</sup>

# Diagram and el. wiring: NMTD SMART 40/80F

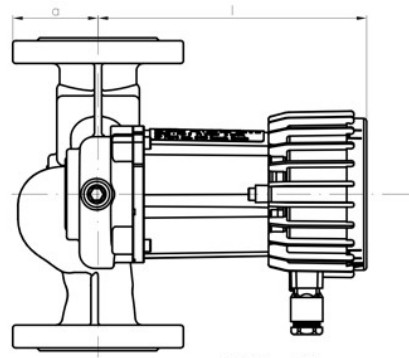
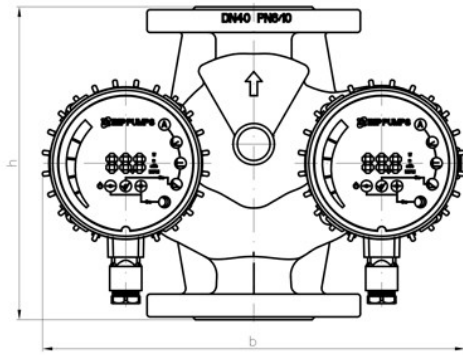


7350028 v.2

3



2



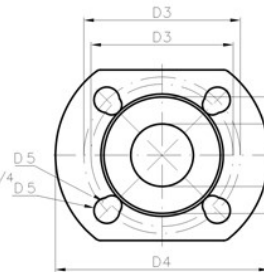
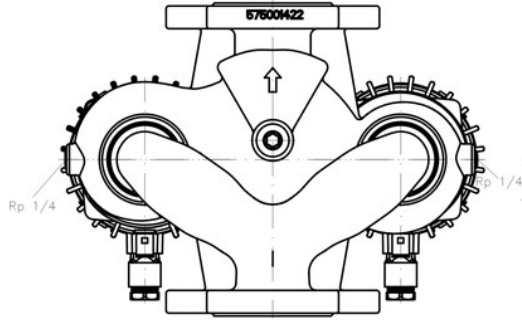
**DN = 40**

**b = 297**

**h = 220**

**a = 56**

**l = 190**



**D1 = 40**

**D2 = 80**

**D3 = 100/110**

**D4 = 150**

**D5 = 14/19**